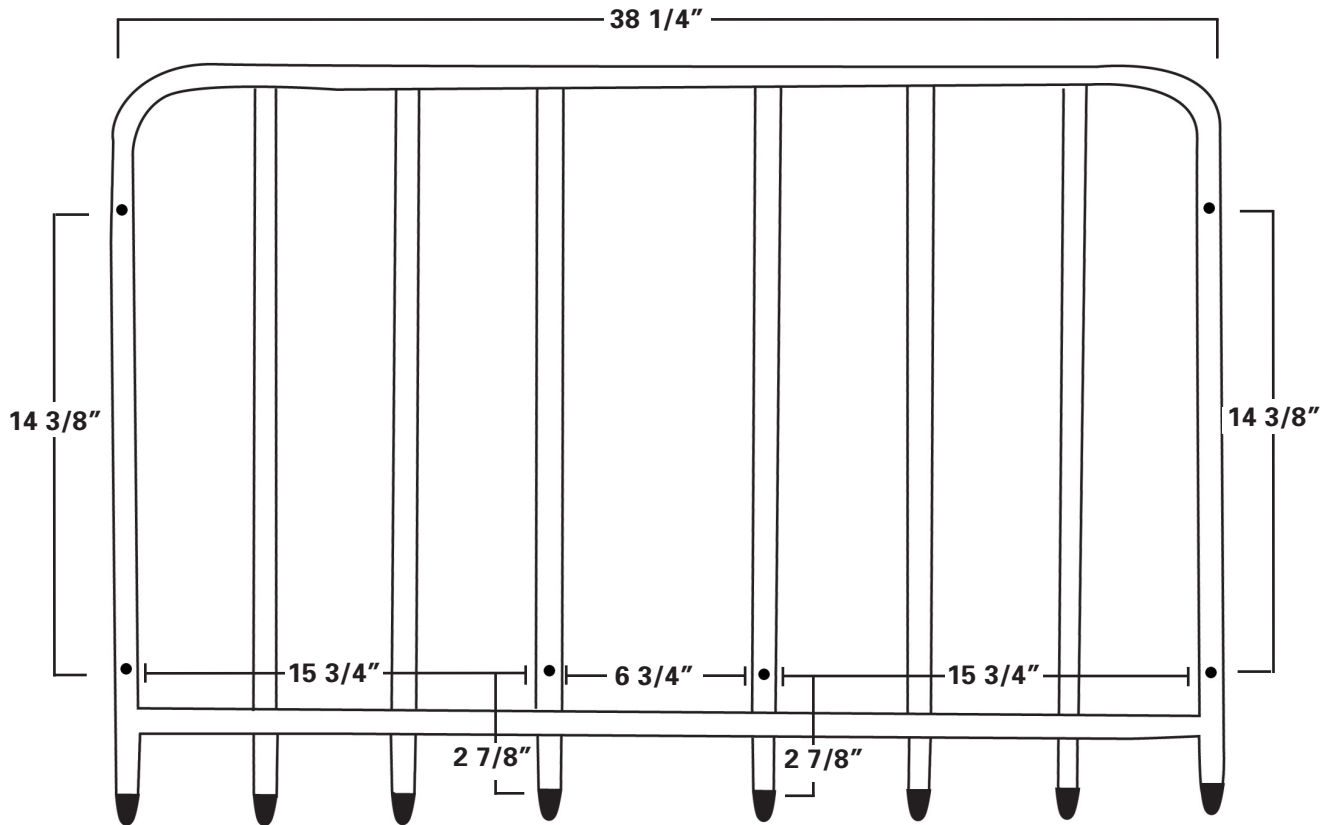


1968-1975 6-Hole Stainless Luggage Rack

Product # X-202



Luggage racks were originally dealer installed options and mounting locations can vary slightly depending upon the OEM source and mounting location. We have provided a diagram with Zip's luggage rack holes for your verification. If you are in the midst of a restoration, our recommendation is to verify luggage rack mounting holes prior to body and paint work or fill-in your Corvettes original holes to eliminate any mounting discrepancies during installation.

All Zip racks are completely assembled multi-piece racks as original. Since racks are multi-piece, slight variations (1/8"-1/4") can appear depending on how the rack was assembled in production. To aid installation on your Corvette, Zip recommends adding the stand, stand washer, gasket and well nut to the luggage rack prior to installing on your Corvette. With the screw already threaded through the luggage rack and into the well nut, alignment and installation with your Corvette's original holes is much simpler.

www.zip-corvette.com
1-800-962-9632



Zip: Corvettes are all we do.